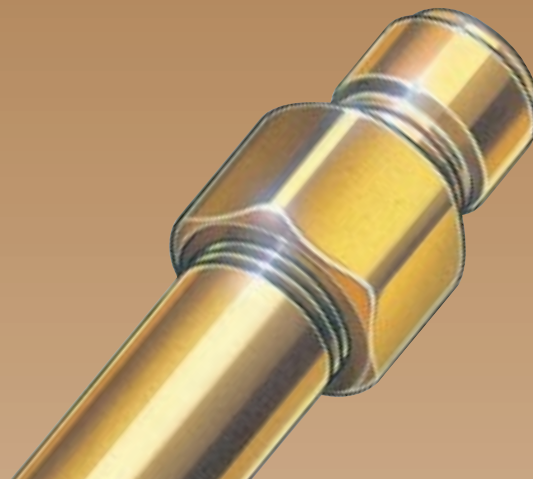




# HANSEN



QUICK-CONNECTING  
STRAIGHT-THROUGH COUPLINGS



FS 28046



HANSEN ST SERIES

## QUICK-CONNECTING

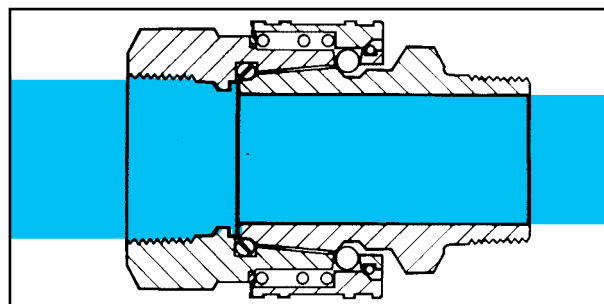
To connect a Hansen ST series coupling, simply pull back the spring-loaded sleeve and push the socket on to the plug – the sleeve then snaps forward to lock the coupling securely; to disconnect, just pull the sleeve back to unlock the coupling.



- No tools nor skill are needed to operate Hansen ST couplings
- Joints are guaranteed leak-free every time
- Couplings can swivel through 360° when connected, reducing hose stress and facilitating installation
- The locking mechanism is robust, reliable and maintenance-free

## STRAIGHT-THROUGH

Hansen ST series couplings are specifically designed as straight-through couplings without self-sealing valves.



- Their smooth, unrestricted bore permits full flow of liquids and gases
- Alternative hose stem and threaded end connections give neat, compact installations with the minimum number of joints.
- Availability in brass and stainless steel allows a wide variety of fluids to be handled without corrosion

## HANSEN QUALITY

Hansen couplings have a world-wide reputation for quality of design and manufacture. Hansen's renowned quality standards – tight tolerances on mating parts, micro-finished sealing surfaces, and precision elastomer seals – mean that Hansen couplings give long, dependable service, even in the most difficult industrial applications. Although many copy Hansen designs, few duplicate the high standards of materials specification and manufacturing quality which Hansen steadfastly maintains.

### SEALS

Hansen ST couplings incorporate high grade elastomeric seals. The nitrile seal material supplied as standard gives excellent resistance to oil, air, water and many other liquids and gases. In addition various optional seal compounds, eg. Viton, EP, etc. are readily available as alternatives where specific fluids not compatible with the standard material are to be handled or where arduous operating conditions such as elevated temperature apply. This choice of seal materials, in conjunction with the alternative metals available, allows Hansen ST couplings to give service in an unrivalled range of applications.

### PRESSURE RATINGS

Service Pressure rating provides a maximum safe pressure in bar suitable for air or other gas applications; for liquid applications (eg. hydraulics), the service pressure ratings may be increased by 60%. Longer service life may be obtained at lower system pressures. Failure Pressure rating is based on actual test; it is the pressure in bar at which a new coupling became inoperative or started to leak during a single pressure application. NB: Not suitable for disconnection under pressure.

SERIES	BRASS		STAINLESS STEEL		BRASS SOCKET/STEEL PLUG	
	SERVICE	FAILURE	SERVICE	FAILURE	SERVICE	FAILURE
1ST	170 bar	690 bar	290 bar	1170 bar	180 bar	725 bar
2ST	360	1450	460	1860	380	1515
3ST	185	760	380	1515	240	965
4ST	150	620	205	825	185	760
6ST	115	480	115	480	115	480
8ST	83	345	115	480	135	550
10ST	115	480	150	620	185	760
12ST	95	385	170	690	150	620
16ST	95	385	100	410	150	620
20ST	60	255	–	–	100	410

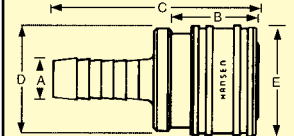
Pressure ratings shown are valid for Group 2 fluids only [per Pressure Equipment Directive 97/23/EC, Art.9 (2)]. Consult Guyson Technical Department for Group 1 (dangerous) fluids ratings.

# HANSEN STRAIGHT THROUGH COUPLINGS

## Brass or Stainless Steel

**PART NUMBERS:** (Any plug of given bore fits any socket of the same bore, irrespective of end connection.)

**SOCKETS with hose stems**



SERIES	BRASS	STAINLESS STEEL	A	B	C	D	E	BORE
1ST	1S12	LL1S12	3/16" HS	17	36	16	18	5
1ST	1S17	LL1S17	1/4" HS	17	36	16	18	5
2ST	2S17	-	1/4" HS	27	54	22	24	6
3ST	3S22	LL3S22	3/8" HS	27	59	27	29	10
4ST	4S27	-	1/2" HS	29	67	30	33	13
6ST	6S32	LL6S32	3/4" HS	33	71	38	43	19
8ST	8S37	LL8S37	1" HS	37	75	46	51	25

**PLUGS with hose stems**



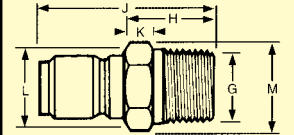
SERIES	BRASS	STAINLESS STEEL	G	H	J	K	L	BORE
1ST	BIT12	LLIT12	3/16" HS	3	14	33	11	5
1ST	BIT17	LLIT17	1/4" HS	3	14	33	11	5
2ST	B2T17	-	1/4" HS	3	23	50	14	6
3ST	B3T22	LL3T22	3/8" HS	5	27	59	17	10
4ST	B4T27	-	1/2" HS	5	29	67	22	13
6ST	B6T32	LL6T32	3/4" HS	6	34	72	30	19
8ST	B8T37	-	1" HS	6	37	75	38	25

**SOCKETS with male threads**



SERIES	BRASS	STAINLESS STEEL	A	B	C	D(ac)	E(af)	F	BORE
1ST	1S10	LL1S10	1/8" NPT	27	17	17	14	18	5
2ST	2S15	-	1/4" NPT	44	29	24	21	24	6
3ST	3S20	LL3S20	3/8" NPT	44	30	29	25	29	10
4ST	4S25	-	1/2" NPT	52	33	33	29	33	13
6ST	6S30	LL6S30	3/4" NPT	56	37	42	37	43	19
8ST	8S35	-	1" NPT	61	40	52	44	51	25

**PLUGS with male threads**



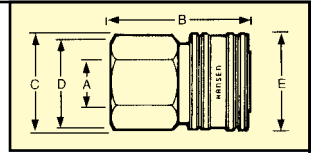
SERIES	BRASS	STAINLESS STEEL	G	H	J	K	L(af)	M(ac)	BORE
1ST	BIT10	LLIT10	1/8" NPT	17	28	6	11	13	5
1ST	BIT15	-	1/4" NPT	21	32	6	14	17	5
2ST	B2T15	LL2T15	1/4" NPT	21	41	6	14	17	6
3ST	B3T20	LL3T20	3/8" NPT	21	43	6	17	20	10
4ST	B4T25	LL4T25	1/2" NPT	27	52	8	22	26	13
6ST	B6T30	LL6T30	3/4" NPT	29	57	10	27	31	19
8ST	B8T35	LL8T35	1" NPT	33	64	10	35	40	25
10ST	B10T40	LL10T40	1 1/4" NPT	36	69	11	44	52	32
12ST	B12T45	-	1 1/2" NPT	40	84	15	57	66	38
16ST	B16T50	LL16T50	2" NPT	43	89	17	70	80	50

For BSP Male threaded sockets and plugs consult Guyson Sales Department.

Continued overleaf

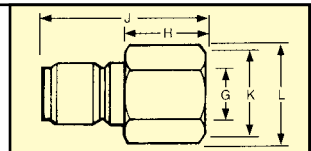
# HANSEN STRAIGHT THROUGH COUPLINGS

Brass or Stainless Steel



## SOCKETS with female threads

SERIES	BRASS	STAINLESS STEEL	A	B	C(ac)	D(af)	E	BORE
1ST	1S11	LL1S11	1/8" NPT	27	17	13	18	5
	1S11-BS	LL1S11-BS	1/8" BSP					
2ST	2S16	LL2S16	1/4" NPT	38	24	21	24	6
	2S16-BS	LL2S16-BS	1/4" BSP					
3ST	3S21	LL3S21	3/8" NPT	41	29	25	29	10
	3S21-BS	LL3S21-BS	3/8" BSP					
4ST	4S26	LL4S26	1/2" NPT	48	33	29	33	13
	4S26-BS	LL4S26-BS	1/2" BSP					
6ST	6S31	LL6S31	3/4" NPT	53	42	37	43	19
	6S31-BS	LL6S31-BS	3/4" BSP					
8ST	8S36	LL8S36	1" NPT	59	52	44	51	25
	8S36-BS	LL8S36-BS	1" BSP					
10ST	10S41	LL10S41	1 1/4" NPT	62	58	51	64	32
	10S41-BS	LL10S41-BS	1 1/4" BSP					
12ST	12S46	LL12S46	1 1/2" NPT	73	75	65	80	38
	12S46-BS	LL12S46-BS	1 1/2" BSP					
16ST	16S51	LL16S51	2" NPT	79	88	76	95	50
	16S51-BS	LL16S51-BS	2" BSP					
20ST	20S56	-	2 1/2" NPT	87	103	89	114	64
	20S56-BS	-	2 1/2" BSP					



## PLUGS with female threads

SERIES	BRASS	STAINLESS STEEL	G	H	J	K(af)	L(ac)	BORE
1ST	BIT11	LLIT11	1/8" NPT	14	25	13	15	5
	BIT11-BS	LLIT11-BS	1/8" BSP					
2ST	B2T16	LL2T16	1/4" NPT	18	38	17	20	6
	B2T16-BS	LL2T16-BS	1/4" BSP					
3ST	B3T21	LL3T21	3/8" NPT	19	41	21	24	10
	B3T21-BS	LL3T21-BS	3/8" BSP					
4ST	B4T26	LL4T26	1/2" NPT	25	49	25	29	13
	B4T26-BS	LL4T26-BS	1/2" BSP					
6ST	B6T31	LL6T31	3/4" NPT	24	52	30	35	19
	B6T31-BS	LL6T31-BS	3/4" BSP					
8ST	B8T36	LL8T36	1" NPT	26	57	40	46	25
	B8T36-BS	LL8T36-BS	1" BSP					
10ST	B10T41	LL10T41	1 1/4" NPT	26	60	51	59	32
	B10T41-BS	LL10T41-BS	1 1/4" BSP					
12ST	B12T46	LL12T46	1 1/2" NPT	30	73	57	66	38
	B12T46-BS	LL12T46-BS	1 1/2" BSP					
16ST	B16T51	-	2" NPT	31	77	70	81	50
	B16T51-BS	-	2" BSP					
20ST	B20T56	-	2 1/2" NPT	35	86	83	95	64
	B20T56-BS	-	2 1/2" BSP					

**NOTE:** Any plug listed can also be supplied in steel – to specify, omit prefix B from brass plug part number.  
Brass sockets 10-ST and larger have zinc-plated steel sleeves.



**GUYSON INTERNATIONAL LIMITED**  
**HOSE & COUPLINGS DIVISION**

Southview Business Park, Guiseley, Leeds LS20 9PR  
Tel: 01943 870044 Fax: 01943 870066

FS 28046

E-mail: leeds@guyson.co.uk Web: www.guyson.co.uk

ST0505